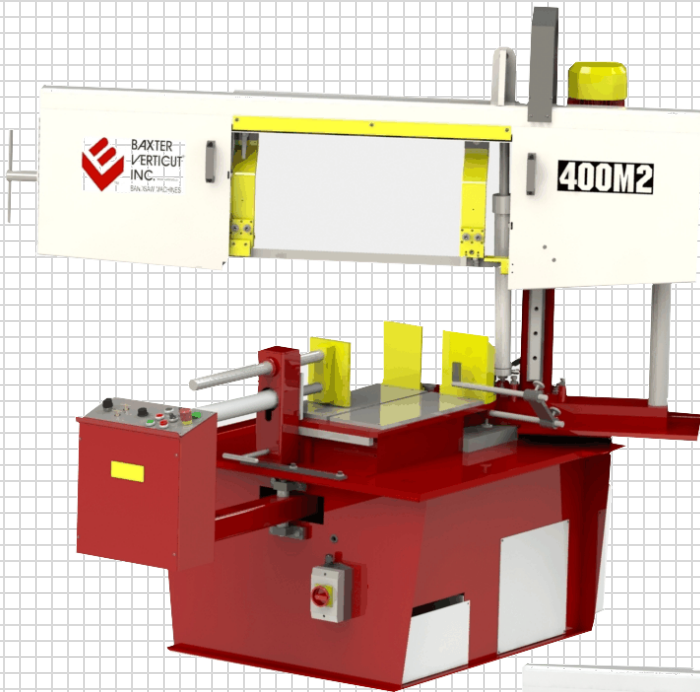


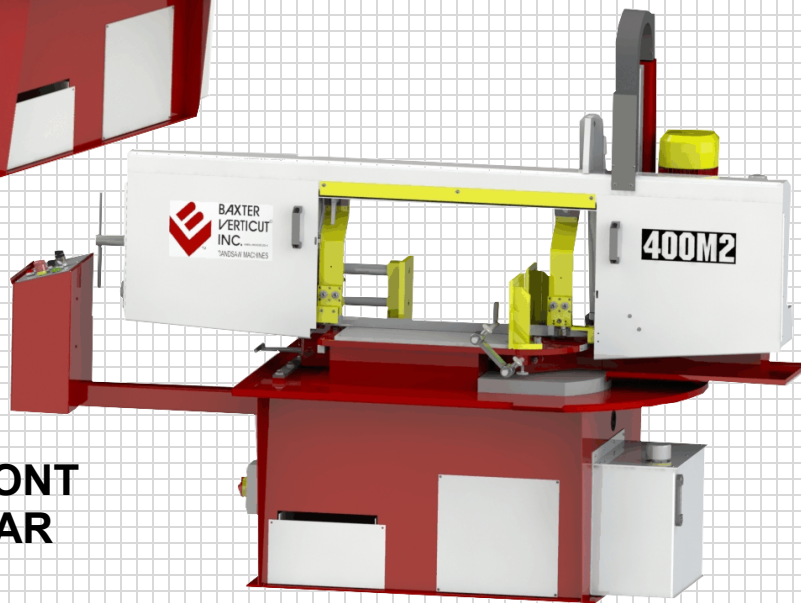
August 1, 2017



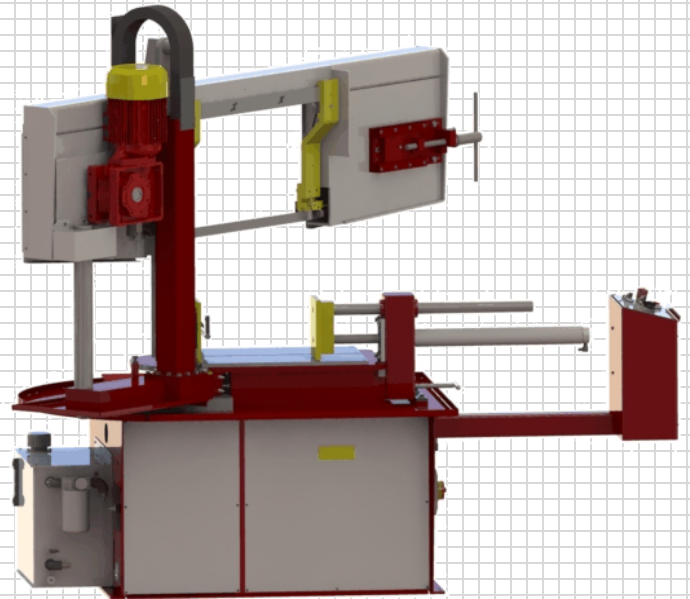
**BAXTER  
VERTICUT<sup>®</sup>  
INC.**  
BANDSAW MACHINES



- **CAPACITY**
  - 21" x 16" (530 x 400 mm) at 0°
  - 14½" x 16" (360 x 400 mm) at 45°
  - 10" x 16" (250 x 400 mm) at 60°



- **MITER CUTS**
  - 45° TO FRONT
  - 60° TO REAR
- **BLADE SIZE**
  - 1-1/4" X 14'6"
- **BLADE DRIVE**
  - 5 HP (3.75 kW)
- **DIRECT DRIVE HEAVY DUTY GEAR BOX**
- **ELECTRONIC VARIABLE BLADE SPEED**
- **HYDRAULIC VISE**



**MADE IN CANADA**

**BAXTER SAW™-MODEL 400M2  
DOUBLE MITER HORIZONTAL BANDSAW**



## **BAXTER SAW<sup>™</sup> - MODEL 400M2 DOUBLE MITER HORIZONTAL BANDSAW**

### **CUTTING CAPACITY**

Round at 90°	16" (400 mm)
Rectangular at 45°	15" (380 mm)
Rectangular at 60°	10½" (265 mm)
Rectangular at 90°	21"w x 16"h ( 530 x 400 mm)
Rectangular at 45°	15"w x 12¾"h (380 x 320 mm)
Rectangular at 60° (maximum width)	10½"w x 10½"h (265 x 265 mm)
Rectangular at 60° (maximum height)	7¾w x 16"h (195 x 400 mm)

### **SPECIFICATIONS**

Blade Size	1 1/4" x 14' 6" (34 x 4450 mm)
Blade Speeds (ft/min)	60 to 400 (18 to 122 m/min)
Blade Tension (spring compensated)	25,000 psi
Table Height	30⅝" (775 mm)
Maximum Work Load	3,000 lb. (1350 kg)
Machine Weight	2,150 lb. (980 kg)
Overall Dimensions	96" x 43" x 72" (2440 x 1100 x 1830 mm)

### **DRIVE**

Blade Drive	5 Hp (3.75 kW)
Hydraulic Dive	2 Hp (2.25 kW)
Voltages available (three phase)	575, 460, 230 / 60 Hz

### **FEATURES INCLUDED AS STANDARD EQUIPMENT**

- Double column machine provides maximum capacity and rigidity
- Design utilizes linear bearings for high stiffness and smooth motion
- Saw frame swings 45° forward, 60° to the rear allowing miter cutting with out swinging the material, indicating scale showing cut angle, hard stops at +45°, 0° and -60°
- Hydraulic saw head lift and full stroke material clamp vise
- Large base for stability with large coolant catch area
- Conveniently located control station mounted on a swinging console for operator convenience
- Cutting feed hydraulically regulated with feed rate scale
- Load sensing valve stops the feed if the blade starts to overload, typical cutting structural shapes
- Blade guards
- Magnetic motor starter with automatic shut off at the end of cut, motor thermal overload protection. Power disconnect on machine
- Powered blade brush to remove cutting chips
- Adjustable material length stop for repetitive cutting
- Ductile iron wheels
- Blade guides are carbide faced with rollers to remove blade twist and dampen vibration, internal coolant channel to lubricate guides and direct coolant onto blade
- Flood coolant system to both saw guides with adjustable flow rates
- Heavy duty gear box. Motor is directly coupled. No belts to adjust or wear
- Electric system uses only C.S.A./UL approved components and is electrically approved
- Premium quality bimetal bandsaw blade
- Instruction and parts manual

### **MODEL 400M2 PRICE**

#### **OPTIONS**

- Laser Light Cut Indicator
- Work Lights
- Conveyor 10' long
- Crating Charge

Due to Baxter Verticut's policy of continuous improvement we reserve the right to make any changes to the machine without incurring any obligations. Machine shown may have optional equipment installed.

The machine warranty is for a period of one year from date of purchase, some exceptions apply, contact the manufacturer for full details. This price list supersedes all previous price lists. All taxes are extra. Unless prior arrangements have been made terms are C.O.D. Machines are F.O.B. our plant.